



## ALERT SERVICE BULLETIN

# Replacement of the pressure side fuel hose at fuel pump part no. 893114 for ROTAX® Engine Type 912 (Series)

ATA System: 73-00-00 Fuel system

**MANDATORY**

### Symbols used:

Please, pay attention to the following symbols throughout this document emphasizing particular information.

#### General note



Identifies an instruction which, if not followed, may cause serious injury or even fatal injury.



Identifies an instruction which, if not followed, may cause minor or moderate injury.



Denotes an instruction which if not followed, may severely damage the engine or could lead to suspension of warranty.

### **ENVIRONMENT NOTE**

Environment note gives you tips and behaviors to environmental protection.

NOTE: Information useful for better handling.

| A revision bar outside of the page margin indicates a change to text or graphic.

d05139.fm

# ALERT SERVICE BULLETIN

## 1) Planning information

### 1.1) Applicability

All versions of the engine type:

Engine type	Serial number
912 UL	from S/N 6,770.549 up to S/N 6,770.552 inclusive/6,770.674 up to 6,770.685 inclusive
912 ULS	from S/N 6,779.365 up to S/N 6,779.367 inclusive/6,779.378 up to 6,779.382 inclusive/6,779.522 up to 6,779.553 inclusive/6,779.560/6,779.561/6,779.582 up to 6,779.601 inclusive/6,779.603 up to 6,779.623 inclusive/6,779.676 up to 6,779.705 inclusive/6,779.709/6,779.853 up to 6,779.882 inclusive/6,779.890 up to 6,779.893 inclusive/6,779.908 up to 6,779.913 inclusive/6,779.962 up to 6,779.991 inclusive/6,780.017 up to 6,780.019 inclusive/6,780.053/6,780.054/6,780.064 up to 6,780.072 inclusive/6,780.074/6,780.075/6,780.077 up to 6,780.079 inclusive/6,780.087

if they are equipped with the genuine ROTAX® fuel pump part no. 893114.

In addition, are also affected, all fuel pumps part no. 893114

with S/N 12.0261/12.0262/11.3117 up to 11.3122 inclusive/11.3124 up to 11.3127 inclusive/11.3131 up to 11.3135 inclusive/11.3140/11.3142/11.3145/11.3156/11.3158 up to 11.3160 inclusive/11.3174/11.3175/11.3186 up to 11.3225 inclusive/11.3252/11.3267 up to 11.3270 inclusive/11.3297 up to 11.3300 inclusive/11.3302 up to 11.3305 inclusive/11.4036 up to 11.4155 inclusive/11.4157/11.4159/11.4164/11.4186 up to 11.4195 inclusive/11.4206 up to 11.4235 inclusive/11.4244 up to 11.4246 inclusive/11.4256 up to 11.4265 inclusive/11.4284/11.4306 up to 11.4316 inclusive/11.4318/11.4319/11.4321/11.4322/11.4327/11.4331 up to 11.4335 inclusive/11.4516/11.4545/11.4549 up to 11.4552 inclusive/11.4554/11.4555/11.4566 up to 11.4585 inclusive, delivered as spare parts or installed at engine maintenance/general overhaul.

**NOTE:**

Fuel pumps part no. 893114 with the following serial number (S/N) that were installed in the above-mentioned engine are also affected, if removed.

S/N 12.0251 up to 12.0260 inclusive/12.0263 up to 12.0270 inclusive/11.3123/11.3128 up to 11.3130 inclusive/11.3136 up to 11.3139 inclusive/11.3141/11.3143/11.3144/11.3146 up to 11.3155 inclusive/11.3157/11.3161 up to 11.3173 inclusive/11.3176 up to 11.3185 inclusive/11.3226 up to 11.3251 inclusive/11.3253 up to 11.3266 inclusive/11.3271 up to 11.3296 inclusive/11.3301/11.3306 up to 11.3325 inclusive/11.4156/11.4158/11.4160 up to 11.4163 inclusive/11.4165 up to 11.4185 inclusive/11.4196 up to 11.4205 inclusive/11.4236 up to 11.4243 inclusive/11.4247 up to 11.4255 inclusive/11.4266 up to 11.4283 inclusive/11.4285 up to 11.4305 inclusive/11.4317/11.4320/11.4323 up to 11.4326 inclusive/11.4328 up to 11.4330 inclusive/11.4336 up to 11.4355 inclusive/11.4517 up to 11.4544 inclusive/11.4546 up to 11.4548 inclusive/11.4553/11.4556 up to 11.4565 inclusive/11.4586 up to 11.4595 inclusive

In addition, are also affected, all fuel hose with part no. 874335, as spare parts or installed at engine maintenance/general overhaul.

For complete instruction and compliance to this Alert Service Bulletin refer to Alert Service Bulletin ASB-912-061, latest edition section 1.2 onward.

d05139.fm

## ALERT SERVICE BULLETIN

---

NOTE: Section 1.6) Approval: Is not required for engines of the type UL (series).  
Section 3) Accomplishment: In addition: persons with adequate type-specific training.

d05139.fm

# ALERT SERVICE BULLETIN

## Replacement of the pressure side fuel hose at fuel pump part no. 893114 for ROTAX® Engine Type 912 (Series)

ATA System: 73-00-00 Fuel system

**MANDATORY**

### Symbols used:

Please, pay attention to the following symbols throughout this document emphasizing particular information.

#### General note



Identifies an instruction which, if not followed, may cause serious injury or even fatal injury.



Identifies an instruction which, if not followed, may cause minor or moderate injury.



Denotes an instruction which if not followed, may severely damage the engine or could lead to suspension of warranty.

### ENVIRONMENT NOTE

Environment note gives you tips and behaviors to environmental protection.

NOTE: Information useful for better handling.

| A revision bar outside of the page margin indicates a change to text or graphic.

d05136.fm

# ALERT SERVICE BULLETIN

## 1) Planning information

### 1.1) Applicability

All versions of the engine type:

Engine type	Serial number
912 A	S/N 4,410.956
912 F	from S/N 4,413.000 up to S/N 4,413.002 inclusive /4,413.005 up to S/N 4,413.007 inclusive
912 S	from S/N 4,924.331 up to S/N 4,924.334 inclusive /4,924.354 up to S/N 4,924.358 inclusive /4,924.366 up to S/N 4,924.402 inclusive

if they are equipped with the genuine ROTAX® fuel pump part no. 893114.

See [Fig. 1](#)

In addition, are also affected, all fuel pumps part no. 893114 with S/N 12.0261/12.0262/11.3117 up to 11.3122 inclusive/11.3124 up to 11.3127 inclusive/ 11.3131 up to 11.3135 inclusive/11.3140/11.3142/11.3145/11.3156/11.3158 up to 11.3160 inclusive/11.3174/11.3175/11.3186 up to 11.3225 inclusive/11.3252/11.3267 up to 11.3270 inclusive/ 11.3297 up to 11.3300 inclusive/11.3302 up to 11.3305 inclusive/11.4036 up to 11.4155 inclusive/ 11.4157/11.4159/11.4164/11.4186 up to 11.4195 inclusive/11.4206 up to 11.4235 inclusive/ 11.4244 up to 11.4246 inclusive/11.4256 up to 11.4265 inclusive/11.4284/11.4306 up to 11.4316 inclusive/11.4318/11.4319/11.4321/11.4322/11.4327/11.4331 up to 11.4335 inclusive/11.4516/ 11.4545/11.4549 up to 11.4552 inclusive/11.4554/11.4555/11.4566 up to 11.4585 inclusive, delivered as spare parts or installed at engine maintenance/general overhaul.

#### NOTE:

Fuel pumps part no. 893114 with the following serial number (S/N) that were installed in the above-mentioned engine are also affected, if removed.

S/N 12.0251 up to 12.0260 inclusive/12.0263 up to 12.0270 inclusive/ 11.3123/11.3128 up to 11.3130 inclusive/11.3136 up to 11.3139 inclusive/ 11.3141/11.3143/11.3144/11.3146 up to 11.3155 inclusive/11.3157/ 11.3161 up to 11.3173 inclusive/11.3176 up to 11.3185 inclusive/11.3226 up to 11.3251 inclusive/11.3253 up to 11.3266 inclusive/11.3271 up to 11.3296 inclusive/11.3301/11.3306 up to 11.3325 inclusive/11.4156/ 11.4158/11.4160 up to 11.4163 inclusive/11.4165 up to 11.4185 inclusive/ 11.4196 up to 11.4205 inclusive/11.4236 up to 11.4243 inclusive/11.4247 up to 11.4255 inclusive/11.4266 up to 11.4283 inclusive/11.4285 up to 11.4305 inclusive/11.4317/11.4320/11.4323 up to 11.4326 inclusive/ 11.4328 up to 11.4330 inclusive/11.4336 up to 11.4355 inclusive/11.4517 up to 11.4544 inclusive/11.4546 up to 11.4548 inclusive/11.4553/11.4556 up to 11.4565 inclusive/11.4586 up to 11.4595 inclusive

### 1.2) Concurrent ASB/SB/SI and SL

None

### 1.3) Reason

Due to variations in the manufacturing of the fuel hose, rubber particles may become detached. These particles can interfere or suppress the fuel mixture in the carburetor. This disturbance in the fuel mixture may lead to rough engine operation, engine misfire and can cause an engine shut down.

d05136.fm

# ALERT SERVICE BULLETIN

---

## 1.4) Subject

Replacement of the pressure side fuel hose at fuel pump part number 893114 for ROTAX® engine type 912 (Series).

## 1.5) Compliance

- **Required before the next flight, the “replacement of the pressure side fuel hose“ identified by the engine or fuel pump serial number (S/N) listed in section 1.1) must be conducted according to the following instructions in section 3.**



Non-compliance with these instructions could result in engine damages, personal injuries or even fatal injury.

## 1.6) Approval

The technical content of this document is approved under the authority of DOA ref.EASA.21J.048.

## 1.7) Manpower

Estimated man-hours:

Engine installed in the aircraft - - - manpower time will depend on installation and therefore no estimate is available from the engine manufacturer.

## 1.8) Mass data

Change of weight - - none.

Moment of inertia- - - unaffected.

## 1.9) Electrical load data

No change

## 1.10) Software accomplishment summary

No change

## 1.11) References

In addition to this technical information refer to current issue of

- Illustrated Parts Catalog (IPC)
- Maintenance Manual (MM)

NOTE:

The status of Manuals can be determined by checking the table of amendments of the Manual. The 1<sup>st</sup> column of this table is the revision status. Compare this number to that listed on the ROTAX WebSite:

[www.FLYROTAX.com](http://www.FLYROTAX.com). Updates and current revisions can be downloaded for free.

## 1.12) Other publications affected

None

## 1.13) Interchangeability of parts

- All used parts and spare parts are unserviceable and must be scrapped.

d05136.fm

# ALERT SERVICE BULLETIN

---

## 2) Material Information

### 2.1) Material- cost and availability

The resupply and the approval process for the respective fuel hose is already underway.  
Price and availability and any possible support consideration will be supplied on request by ROTAX<sup>®</sup> Authorized Distributors or their Service Center.

## 3) Accomplishment / Instructions

NOTE: Before maintenance, review the entire documentation to make sure you have a complete understanding of the procedure and requirements.

**Accomplishment** Intensive work is being carried out to resupply of the verified fuel hoses.  
The next steps and appropriate work instructions will be communicated accordingly.

d05136.fm

# ALERT SERVICE BULLETIN

## 4) Appendix

The following illustrations should convey additional information:

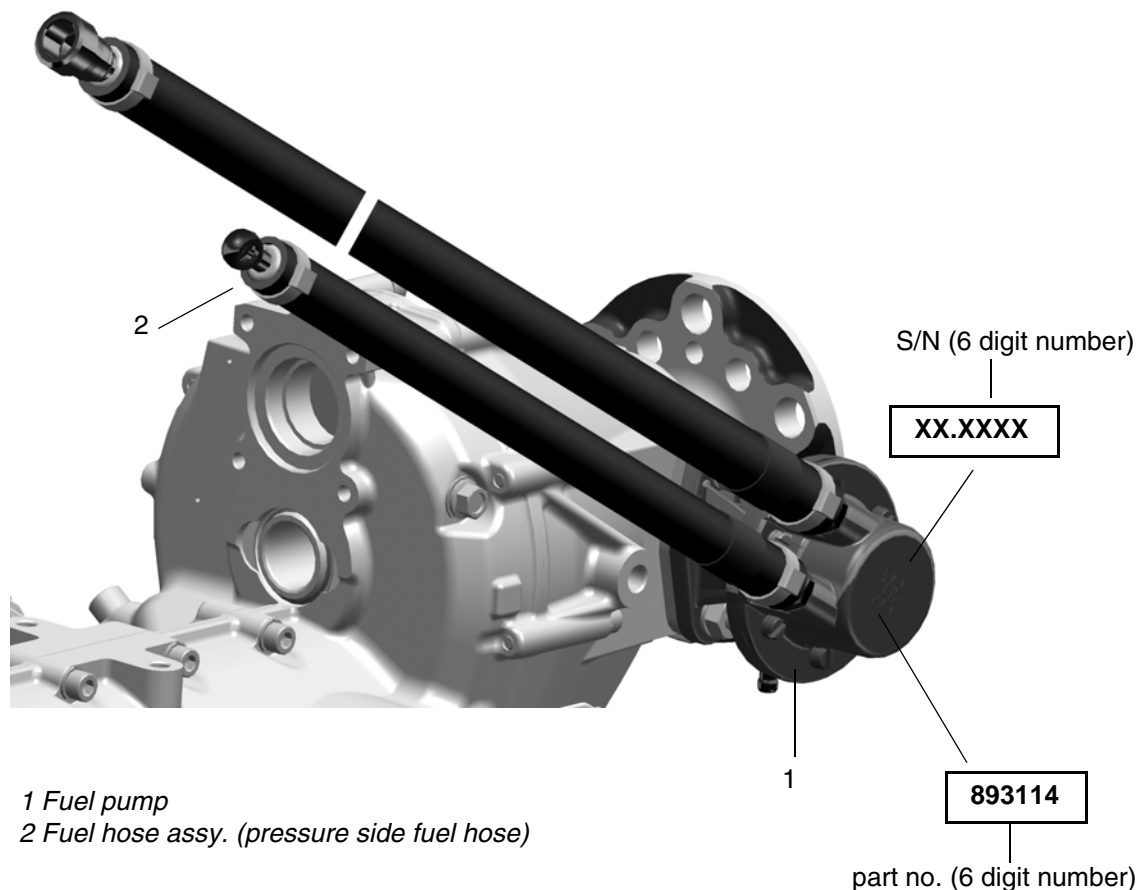


Fig. 1  
Fuel pump

09749

NOTE:

The illustrations in this document show the typical construction. They may not represent full detail or the exact shape of the parts which have the same or similar function.

Exploded views are **not technical drawings** and are for reference only. For specific detail, refer to the current documents of the respective engine type.

d05136.fm